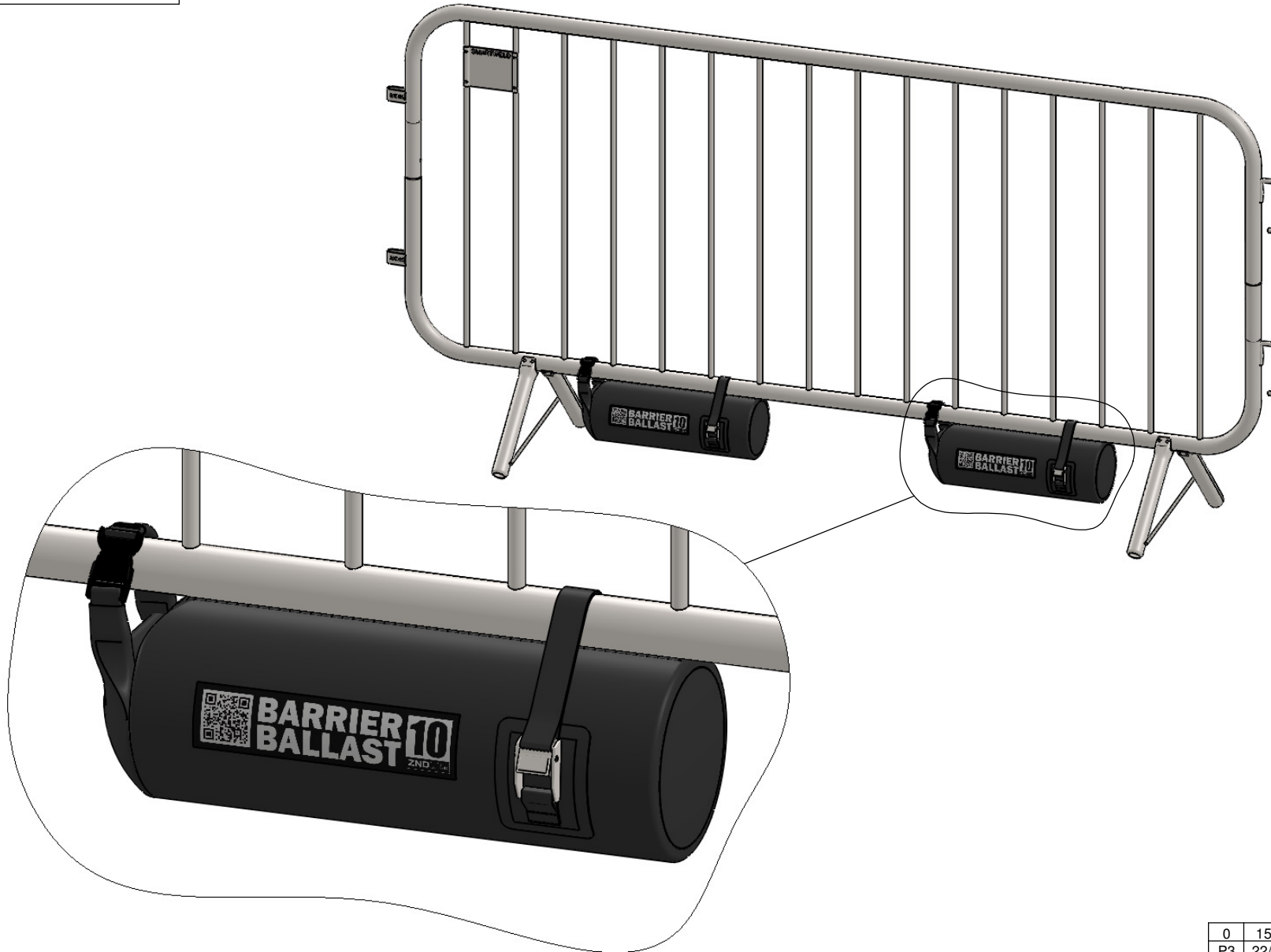


ALL DIMENSIONS IN MILLIMETRES  
REMOVE ALL SHARP EDGES

THIRD ANGLE PROJECTION  
DO NOT SCALE DRAWING



0	15/2/21	ISSUED FOR MANUFACTURE	GC		
P3	22/12/20	ISSUED FOR APPROVAL	GC		
REV	DATE	DESCRIPTION	DRN	CHKD	APPR

TOLERANCES - UNLESS STATED OTHERWISE

FABRICATION	UP TO 300mm	+/- 1mm
	UP TO 1000mm	+/- 2mm
	1001mm & ABOVE	+/- 3mm
	ANGULAR	+/- 1°
MACHINING	+/- 0.2mm	
GAUGE	+/- 10%	
WEIGHT	+/- 10% (DUE TO MATERIAL PROPERTIES & TOLERANCES)	

TITLE: **BARRIER BALLAST 10**

NAME	SIGNATURE	DATE	MATERIAL:
G. CRICK		30/9/20	PVC & PLASTIC
CHK'D			
FINISH:			
NONE			

**ZNDUK**  
Mangham Road Barbot Hall Ind Estate Rotherham S61 4RJ  
Tel 01709 521100 Fax: 01709 521111 Web: www.znduk.com

WAS ZND1417

Drw / Stockcode No.	Revision
<b>12051050</b>	<b>0</b>

THE COMPANY RETAIN THE RIGHT TO PERIODICALLY ALTER INFORMATION WITHIN THIS DRAWING SHEET AND WILL ATTEMPT TO NOTIFY ALL PARTIES CONCERNED OF ANY CHANGES AND THE INFORMATION ON THIS SHEET SHOULD NOT BE REPRODUCED WITHOUT THEIR WRITTEN CONSENT.

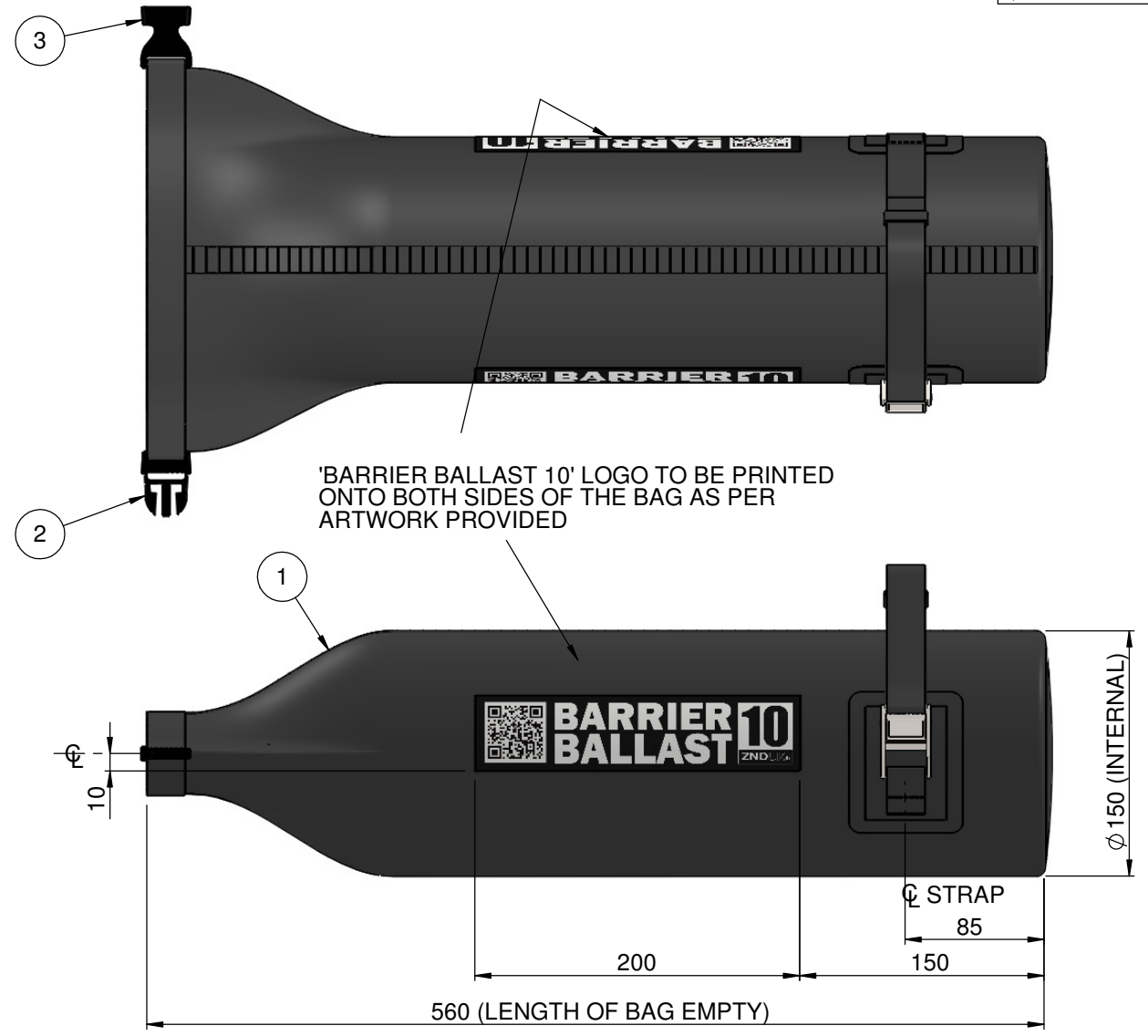
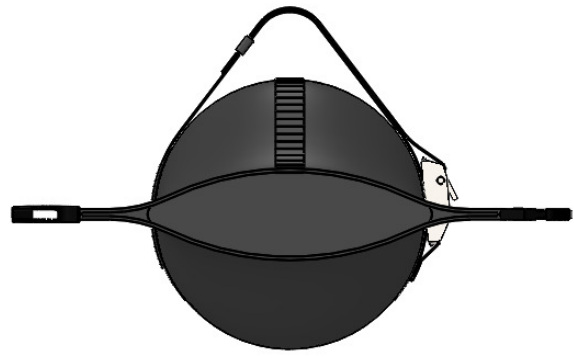
1 ALL DIMENSIONS IN MILLIMETRES  
REMOVE ALL SHARP EDGES

2 DO NOT JOIN MATERIAL TOGETHER  
TO MAKE INDIVIDUAL ITEMS

8 THIRD ANGLE PROJECTION  
DO NOT SCALE DRAWING

**BAG DETAILS:**  
 MATERIAL - WATERPROOF PVC  
 LENGTH OF BAG EMPTY - 560mm  
 INTERNAL DIAMETER OF BAG - 150mm  
 MATERIAL THICKNESS - 0.5mm

**BAGS TO BE PACKED FLAT FOR TRANSPORT**



ITEM No.	PART No.	DESCRIPTION	QTY
1	ZND1417-1	PVC BAG	1
2	ZND1417-2	25mm MALE BUCKLE	1
3	ZND1417-3	25mm FEMALE BUCKLE	1
4	ZND1417-4	25mm STEEL BUCKLE	1

REV	DATE	DESCRIPTION	DRN	CHKD	APPR
0	15/2/21	ISSUED FOR MANUFACTURE	GC		
P3	23/12/20	ISSUED FOR APPROVAL	GC		

TOLERANCES - UNLESS STATED OTHERWISE			TITLE: BARRIER BALLAST 10 GA SHT 1		
FABRICATION	UP TO 300mm	+/- 1mm	NAME	SIGNATURE	DATE
	UP TO 1000mm	+/- 2mm	DRAWN	G. CRICK	30/9/20
	1001mm & ABOVE	+/- 3mm	CHK'D		
	ANGULAR	+/- 1°	FINISH:	NONE	
MACHINING	+/- 0.2mm		MATERIAL: PVC & PLASTIC		
GAUGE	+/- 10%		WEIGHT: NONE		
WEIGHT	+/- 10% (DUE TO MATERIAL PROPERTIES & TOLERANCES)				

**ZNDUK**  
 Mangham Road Barbot Hall Ind Estate Rotherham S61 4RJ  
 Tel 01709 521100 Fax: 01709 521111 Web: www.znduk.com

Drw / Stockcode No. **12050150-GA1** Revision **0**

THE COMPANY RETAIN THE RIGHT TO PERIODICALLY ALTER INFORMATION WITHIN THIS DRAWING SHEET AND WILL ATTEMPT TO NOTIFY ALL PARTIES CONCERNED OF ANY CHANGES AND THE INFORMATION ON THIS SHEET SHOULD NOT BE REPRODUCED WITHOUT THEIR WRITTEN CONSENT.

1 ALL DIMENSIONS IN MILLIMETRES  
REMOVE ALL SHARP EDGES

2 DO NOT JOIN MATERIAL TOGETHER  
TO MAKE INDIVIDUAL ITEMS

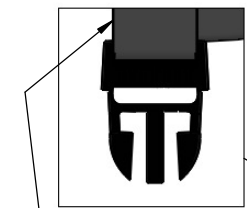
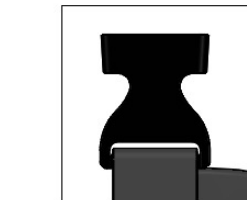
8 THIRD ANGLE PROJECTION  
DO NOT SCALE DRAWING

NOTE:  
BAG IS TO BE JOINED FROM TOP TO BOTTOM  
WITH AN OVERLAP JOINT THAT IS GLUED AND PRESSED.  
SAMPLE JOINT IS 16mm WIDE.

BOTTOM OF BAG TO BE FLAT.  
BOTTOM TO BE APPROXIMATELY  
148mm DIAMETER x 0.5 THICK PVC  
AND IT IS TO BE GLUED ONTO THE  
WALL OF THE BAG.SEE ATTACHED  
PHOTO OF SAMPLE BAG



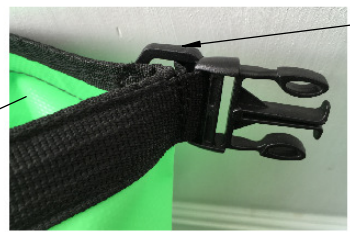
SEE SAMPLE PHOTO  
OF THE BOTTOM  
OF THE BAG



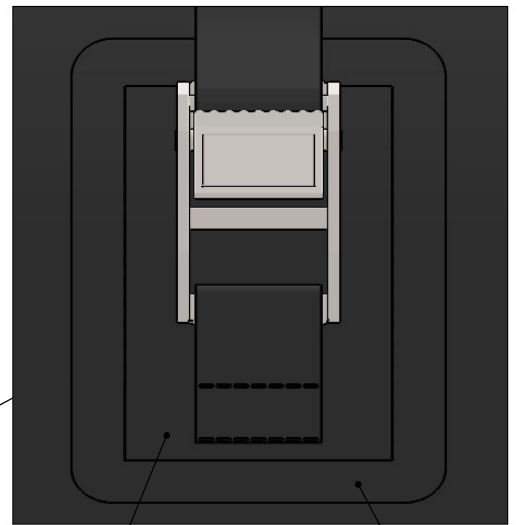
25

NOTE:  
25mm x 1mm THICK  
PLASTIC FABRIC STRAP  
IS TO BE STICJED AROUND  
THE OPENING OF THE BAG  
TO STIFFEN IT UP. LOOPS  
TO BE MADE IN EACH END  
OF THIS STRAP TO CARRY  
THE BUCKLES.

SEE SAMPLE PHOTO  
OF THE MALE BUCKLE  
FITTED INTO THE FABRIC  
STRAP



NOTE:  
'D' RING NOT REQUIRED

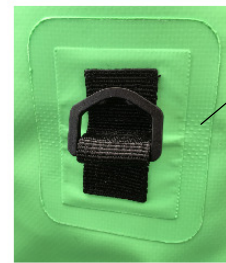


PATCH 1

PATCH 2

THE FABRIC STRAPS ARE TO BE STITCHED  
INTO PATCH 1. PATCH 1 COMPLETE WITH  
FABRIC STRAP IS THEN GLUED ONTO PATCH 2.  
PATCH 2 IS THEN GLUED INTO POSITION SHOWN  
ON THE FACE OF THE PVC BAG.  
TYPICAL FOR EACH SIDE OF THE BAG.

PATCH 1 IS 50 x 73 x 0.5 THICK PVC  
PATCH 2 IS 70 x 93 x 0.5 THICK PVC



SEE PHOTO OF THE PATCH ON THE SAMPLE.  
IGNORE THE DETAIL OF THE 'D' RING & STRAP

BAG DETAILS:  
MATERAIL -WATERPROOF PVC  
LENGTH OF BAG EMPTY - 560mm  
INTERNAL DIAMETER OF BAG - 150mm  
MATERIAL THICKNESS - 0.5mm

TOLERANCES - UNLESS STATED OTHERWISE

FABRICATION	UP TO 300mm	+/- 1mm
	UP TO 1000mm	+/- 2mm
	1001mm & ABOVE	+/- 3mm
	ANGULAR	+/- 1°
MACHINING	+/- 0.2mm	
GAUGE	+/- 10%	
WEIGHT	+/- 10% (DUE TO MATERIAL PROPERTIES & TOLERANCES)	

TITLE: **BARRIER BALLAST 10 FAB SHT 1**

NAME	SIGNATURE	DATE	MATERIAL:
G. CRICK		30/9/20	PVC & PLASTIC
FINISH:	NONE		

0	15/2/21	ISSUED FOR MANUFACTURE	GC		
P3	23/12/20	ISSUED FOR APPROVAL	GC		
REV	DATE	DESCRIPTION	DRN	CHKD	APPR

**ZNDUK**  
Mangham Road Barbot Hall Ind Estate Rotherham S61 4RJ  
Tel 01709 521100 Fax: 01709 521111 Web: www.znduk.com

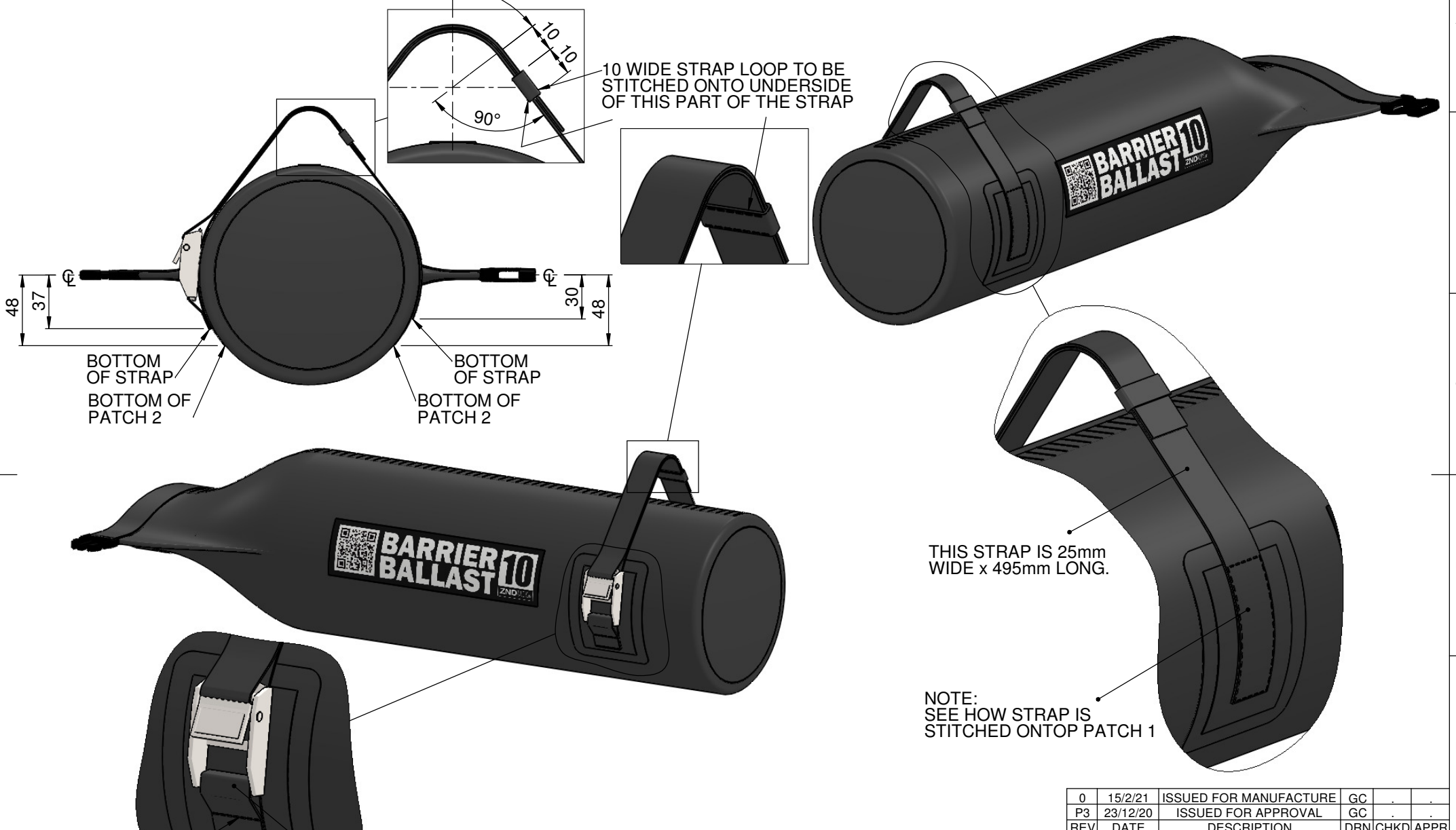
Drw / Stockcode No. **12051050-FAB 1** Revision **0**

THE COMPANY RETAIN THE RIGHT TO PERIODICALLY ALTER INFORMATION WITHIN THIS DRAWING SHEET AND WILL ATTEMPT TO NOTIFY ALL PARTIES CONCERNED OF ANY CHANGES AND THE INFORMATION ON THIS SHEET SHOULD NOT BE REPRODUCED WITHOUT THEIR WRITTEN CONSENT.

1 ALL DIMENSIONS IN MILLIMETRES  
REMOVE ALL SHARP EDGES

2 DO NOT JOIN MATERIAL TOGETHER  
TO MAKE INDIVIDUAL ITEMS

8 THIRD ANGLE PROJECTION  
DO NOT SCALE DRAWING



NOTE:  
2 ROWS OF STITCHING  
INTO PATCH 1

THIS STRAP IS 25mm  
WIDE x 70mm LONG

THIS STRAP IS 25mm  
WIDE x 495mm LONG.

NOTE:  
SEE HOW STRAP IS  
STITCHED ON TOP  
PATCH 1

0	15/2/21	ISSUED FOR MANUFACTURE	GC		
P3	23/12/20	ISSUED FOR APPROVAL	GC		
REV	DATE	DESCRIPTION	DRN	CHKD	APPR

TOLERANCES - UNLESS STATED OTHERWISE			TITLE: <b>BARRIER BALLAST 10 FAB SHT 2</b>		
FABRICATION	UP TO 300mm	+/- 1mm	NAME	SIGNATURE	DATE
	UP TO 1000mm	+/- 2mm	DRAWN	G. CRICK	30/9/20
	1001mm & ABOVE	+/- 3mm	CHK'D		
	ANGULAR	+/- 1°	FINISH: NONE		
MACHINING	+/- 0.2mm		MATERIAL: PVC & PLASTIC		
GAUGE	+/- 10%		Drw / Stockcode No. <b>12051050-FAB 2</b>		
WEIGHT	+/- 10% (DUE TO MATERIAL PROPERTIES & TOLERANCES)		Revision <b>0</b>		

**ZNDUK**  
Mangham Road Barbot Hall Ind Estate Rotherham S61 4RJ  
Tel 01709 521100 Fax: 01709 521111 Web: www.znduk.com

THE COMPANY RETAIN THE RIGHT TO PERIODICALLY ALTER INFORMATION WITHIN THIS DRAWING SHEET AND WILL ATTEMPT TO NOTIFY ALL PARTIES CONCERNED OF ANY CHANGES AND THE INFORMATION ON THIS SHEET SHOULD NOT BE REPRODUCED WITHOUT THEIR WRITTEN CONSENT.

1 ALL DIMENSIONS IN MILLIMETRES  
REMOVE ALL SHARP EDGES

2 DO NOT JOIN MATERIAL TOGETHER  
TO MAKE INDIVIDUAL ITEMS

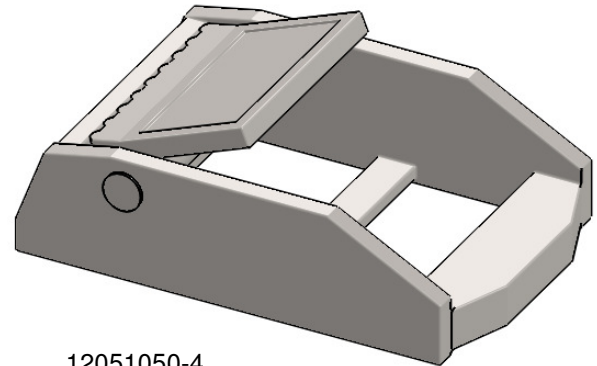
8 THIRD ANGLE PROJECTION  
DO NOT SCALE DRAWING



12051050-2  
MALE BUCKLE TO SUIT 25mm STRAP



12051050-3  
FEMALE BUCKLE TO SUIT 25mm STRAP



12051050-4  
STEEL SPRUNG LOADED  
BUCKLE TO SUIT 25mm STRAP  
AS PER SAMPLE PROVIDED

0	15/2/21	ISSUED FOR MANUFACTURE	GC		
P3	23/12/20	ISSUED FOR APPROVAL	GC		
REV	DATE	DESCRIPTION	DRN	CHKD	APPR

TOLERANCES - UNLESS STATED OTHERWISE			TITLE: <b>BARRIER BALLAST 10 MALE &amp; FEMALE BUCKLES</b>		
FABRICATION	UP TO 300mm	+/- 1mm	NAME	SIGNATURE	DATE
	UP TO 1000mm	+/- 2mm	DRAWN	G. CRICK	30/9/20
	1001mm & ABOVE	+/- 3mm	CHK'D		
	ANGULAR	+/- 1°	FINISH: <b>NONE</b>		
MACHINING	+/- 0.2mm		MATERIAL: <b>BLACK PLASTIC</b>		
GAUGE	+/- 10%		Drw / Stockcode No. <b>12051050-2,3 &amp; 4</b>		
WEIGHT	+/- 10% (DUE TO MATERIAL PROPERTIES & TOLERANCES)		Revision <b>0</b>		

**ZNDUK**  
Mangham Road Barbot Hall Ind Estate Rotherham S61 4RJ  
Tel 01709 521100 Fax: 01709 521111 Web: www.znduk.com

THE COMPANY RETAIN THE RIGHT TO PERIODICALLY ALTER INFORMATION WITHIN THIS DRAWING SHEET AND WILL ATTEMPT TO NOTIFY ALL PARTIES CONCERNED OF ANY CHANGES AND THE INFORMATION ON THIS SHEET SHOULD NOT BE REPRODUCED WITHOUT THEIR WRITTEN CONSENT.